

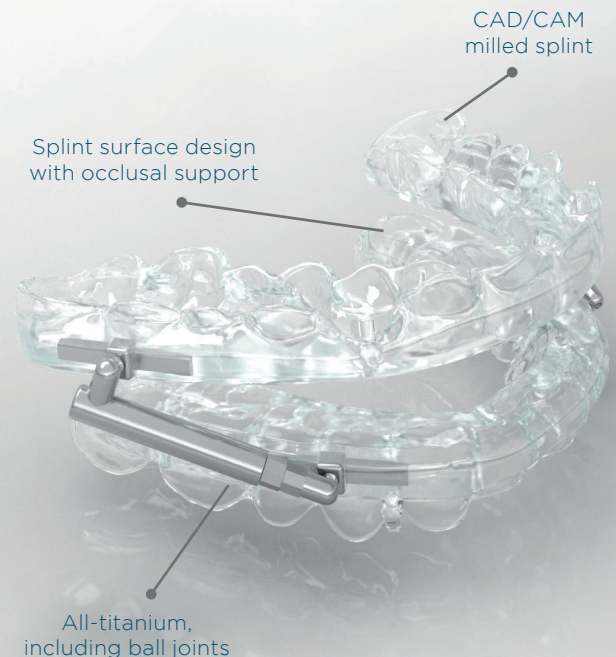
The digital laboratory
Orthodontics and sleep medicine

The digital laboratory

Orthodontics and
sleep medicine

BioBiteCorrector[®] Sleep Appliance

The anti-snoring device
with a titanium
ball-joint hinge



BBC Orthotec GmbH
Innsbrucker Str. 2
83435 Bad Reichenhall
Germany
Phone: +49 (0)8651 / 9650099
Fax: +49 (0)8651 / 9650098
E-Mail: lab@bbc-orthotec.de
Url: bbc-orthotec.de

The BioBite**Corrector**[®] **Sleep Appliance** is the world's first anti-snoring appliance featuring all-titanium mandibular protrusion hinges with ball joints.

Titanium – biocompatible and hypoallergenic.

The hinge is light, slender and at the same time extremely sturdy. Thanks to four ball joints, the BioBite**Corrector**[®] **Sleep Appliance** enables all mouth and jaw movements. This ensures high speaking and wearing comfort.

Digitaler Workflow made in Germany:

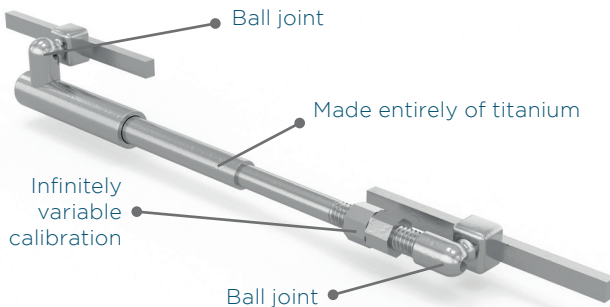
The BioBite**Corrector**[®] **Sleep Appliance** is designed digitally, using 3D software. Then the splints are milled (CAD/CAM process).

The BioBite**Corrector**[®] **Sleep Appliance** is manufactured entirely in Germany.

BioBite**Corrector**[®] **Sleep Appliance** The Effective Treatment of Snoring and Sleep Apnoea



Standard Design



Incisal Open Design

Advantages:

- Anti-snoring hinge made completely of titanium
- Biocompatible and hypoallergenic
- Thermoactive flexibility
- MMA-free (0% residual monomer)
- Self-adjusting with memory effect
- Low-level vertical bite opening
- Infinitely variable calibration
- Calibrated activation with spacer
- High wearing comfort thanks to ball joints
- Digital 3D-Design (CAD/CAM)
- Splint surface design with occlusal support
- Reliable BioBite**Corrector**[®] hinge benefits
- Premium-quality milled splints
- High wearing comfort thanks to flat design